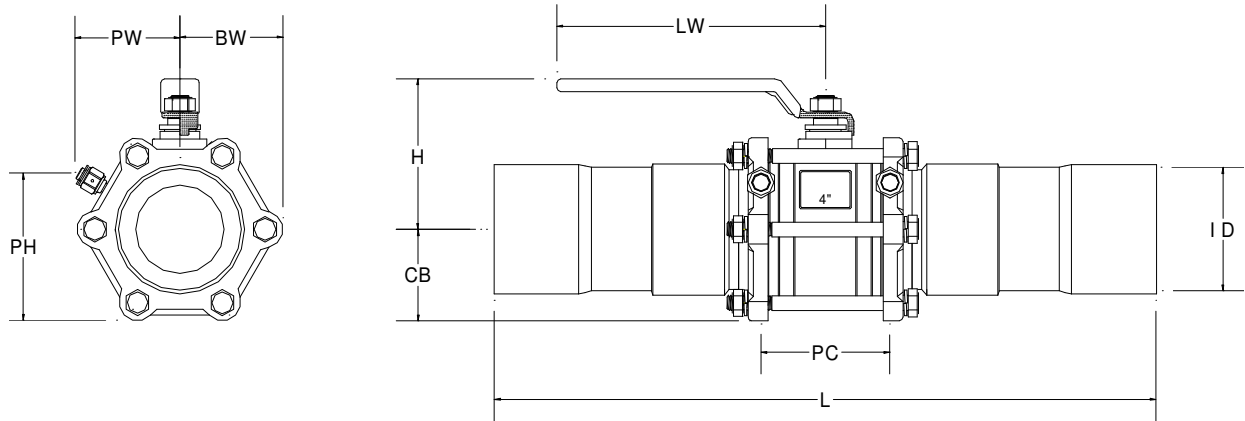


# FORGED BRASS BALL VALVES

## 3.125 to 4.125 ODS WITH EXPANDED COPPER TUBE EXTENSIONS AND OPTIONAL PURGE PORTS



### FORGED BRASS BALL VALVES

PART NUMBER	ID	PW	BW	PH	PC	LW	H	L	CB	WEIGHT LBS
W3125	3.125	3.375	3.375	4.750	4.270	9.000	4.750	20.250	3.00	28
W4125	4.125	3.375	3.375	4.750	4.270	9.000	4.750	21.250	3.00	34

NOTE: THE VALVE INTERNALS ARE NOT TO BE REMOVED PRIOR TO INERT GAS PURGE INSTALLATION.

ALL PRODUCTS ARE HELIUM LEAK TESTED TO  $4.5 \times 10^{-6}$  std cm<sup>3</sup>/s

DANCAR CORPORATION - 145 N. Benson Road, Middlebury, CT 06762

Tel. (203) 598-0205 - Fax (203) 598-0211

[dancar@dancar.com](mailto:dancar@dancar.com)