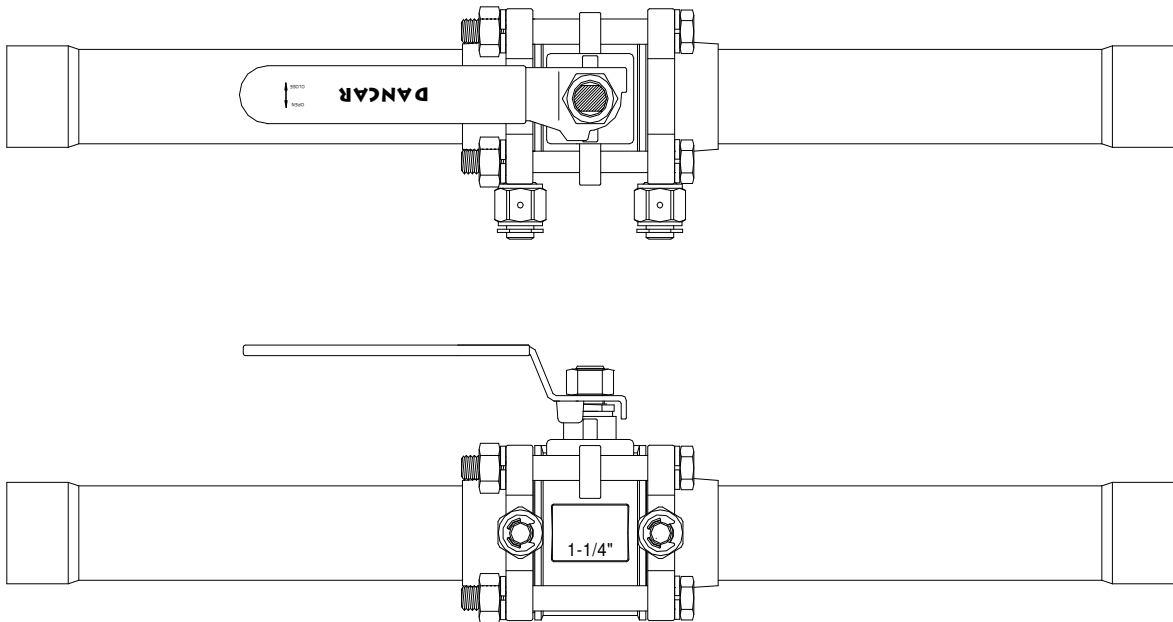


Forged Brass Ball Valves

Designed Specifically For Clean Gas Service

Size Range: .375" to 4.125" Outer Diameter Size



Product Features:

- ◆ Forged Brass Bodies - No Sand Castings
- ◆ Full Flow Porting To 3" Size
- ◆ Three Piece Design
- ◆ Teflon And "O" Ring Stem Seals
- ◆ Clean Area Assembled & Tested
- ◆ High Purity Nitrogen Bagged
- ◆ Chempolished Components
- ◆ Outboard Helium Leak Tested To 4.5×10^{-6} At Operating Pressure
- ◆ Full Penetration Brazed

Options:

- ◆ Purge Access Ports And Valves
- ◆ Helium Leak Testing To 4.5×10^{-7}
- ◆ Double High Purity Nitrogen Bagged
- ◆ Stainless Balls And Stems
- ◆ Various Special Configurations Available

PART NUMBER NOMENCLATURE



FORGED BRASS BALL VALVES

SERIES NUMBER	EXPANDED COPPER TUBE	316L STAINLESS TUBE STUBS	PURGE ACCESS LOCATIONS	
			FITTING	VALVE
EXAMPLES	O. D. SIZE	O. D. SIZE		
W=BALL VALVE	3125-	0500	-RC2	-RV1
	0875-	2000		
			-RC1	-RV1
			-RC2	-RV2
			** -LC1	-LV1
			-LC2	-LV2
			-VC1	-VV1
			-VC2	-VV2
			-UC1	-UV1
			-UC2	-UV2

SERIES NUMBER	EXPANDED COPPER TUBE	316L STAINLESS TUBE STUBS
*W2125-RV2	0625	0500
**W0750-LC1	0875	0750
	1125	1000
	1375	1500
	1625	2000
	* 2125	3000
	3125	4000
	4125	

C1....ONE DOWNSTREAM PURGE CONNECTION
 C2....ONE UPSTREAM/ONE DOWNSTREAM PURGE CONNECTION
 V1....ONE DOWNSTREAM PURGE VALVE W/PURGE CONNECTION
 V2....ONE UPSTREAM/ONE DOWNSTREAM VALVE W/PURGE CONNECTION

NOTES:

1. TYPE "L" OR ACR EXPANDED COPPER TUBE EXTENSIONS ARE STANDARD
2. STAINLESS TUBE ENDS ARE AVAILABLE IN VARIOUS ALLOYS AND SIZES
3. -RC- IS A 9/16 - 18" R. HAND MALE THREAD FACE SEAL VITON "O" RING
4. -LC- IS A 9/16 - 18" L. HAND MALE THREAD FACE SEAL VITON "O" RING
5. -VC- IS A VCR™ COMPATIBLE FITTING
6. -UC- IS A PARKER HANNIFIN ULTRASEAL™ FITTING.
7. STANDARD BALL IS A CHROME PLATED BRASS
8. STANDARD BALL SEATS ARE VIRGIN PTFE
9. USE -LH TO SPECIFY LEVER LOCKING DEVICES

SPECIAL NOTE: -RC, LC, RV & LV FITTINGS ARE RIGHT (RC), AND LEF T (LC) HAND THREADS. IT IS CUSTOMARY FOR THE RIGHT HAND THREAD TO BE USED WITH OXYGEN AND NON-FLAMMABLE GASES. THE LEFT HAND THREAD IS CUSTOMARILY USED WITH FLAMMABLE GASES AND GAS MIXTURES.

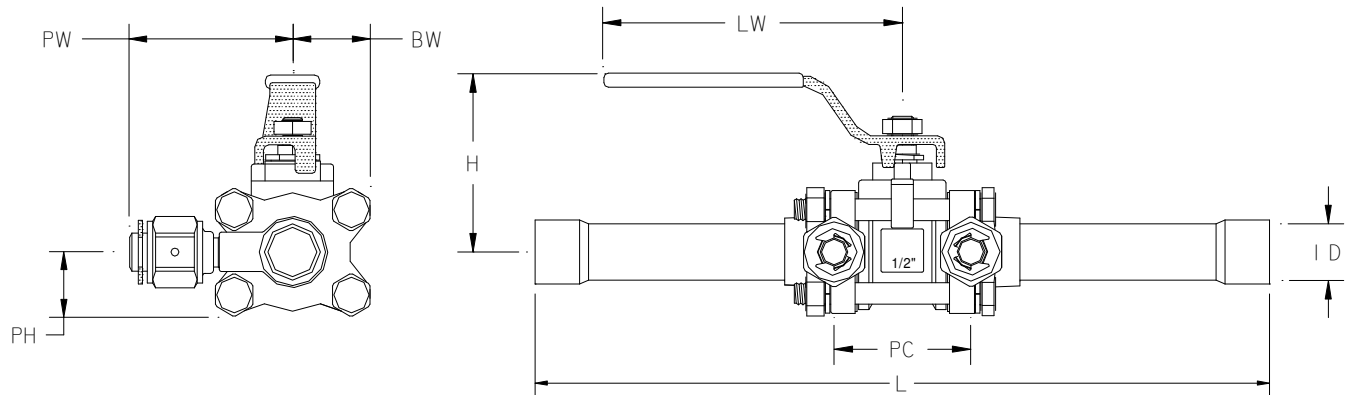
DANCAR CORPORATION - 145 N. Benson Road, Middlebury, CT 06762

Tel. (203) 598-0205 - Fax (203) 598-0211

dancar@dancar.com

FORGED BRASS BALL VALVES

5/8" TO 2-5/8" ODS WITH EXPANDED COPPER TUBE EXTENSIONS
AND OPTIONAL PURGE PORTS



FORGED BRASS BALL VALVES WITH EXPANDED COPPER TUBE EXTENSIONS

PART NUMBER	ID	PW	BW	PH	PC	LW	H	L	WT
W0625	0.625	1.918	0.918	0.682	1.750	3.375	1.875	8.250	1.2
W0875	0.875	2.000	1.000	1.000	2.125	4.500	2.250	10.250	2.0
W1125	1.125	2.093	1.093	1.093	2.375	4.500	2.375	13.500	2.6
W1375	1.375	2.320	1.320	1.320	2.125	5.250	3.000	17.750	4.4
W1625	1.625	2.500	1.500	1.500	2.362	5.250	3.250	18.250	5.8
W2125	2.125	2.915	1.915	1.915	3.083	6.375	3.875	18.750	11.6
W2625	2.625	3.965	2.965	2.965	3.612	9.000	4.250	19.750	14.0

NOTE: THE VALVE INTERNALS ARE NOT TO BE REMOVED PRIOR TO INERT GAS PURGE INSTALLATION.

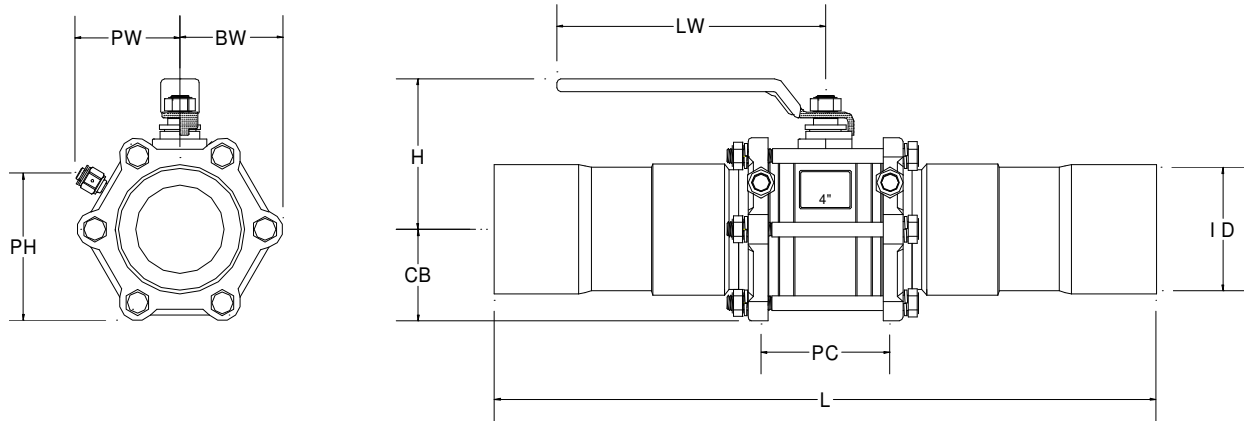
ALL PRODUCTS ARE HELIUM LEAK TESTED TO 4.5×10^{-6} std cm³/s

DANCAR CORPORATION - 145 N. Benson Road, Middlebury, CT 06762
Tel. (203) 598-0205 - Fax (203) 598-0211

dancar@dancar.com

FORGED BRASS BALL VALVES

3.125 to 4.125 ODS WITH EXPANDED COPPER TUBE EXTENSIONS AND OPTIONAL PURGE PORTS



FORGED BRASS BALL VALVES

PART NUMBER	ID	PW	BW	PH	PC	LW	H	L	CB	WEIGHT LBS
W3125	3.125	3.375	3.375	4.750	4.270	9.000	4.750	20.250	3.00	28
W4125	4.125	3.375	3.375	4.750	4.270	9.000	4.750	21.250	3.00	34

NOTE: THE VALVE INTERNALS ARE NOT TO BE REMOVED PRIOR TO INERT GAS PURGE INSTALLATION.

ALL PRODUCTS ARE HELIUM LEAK TESTED TO 4.5×10^{-6} std cm³/s

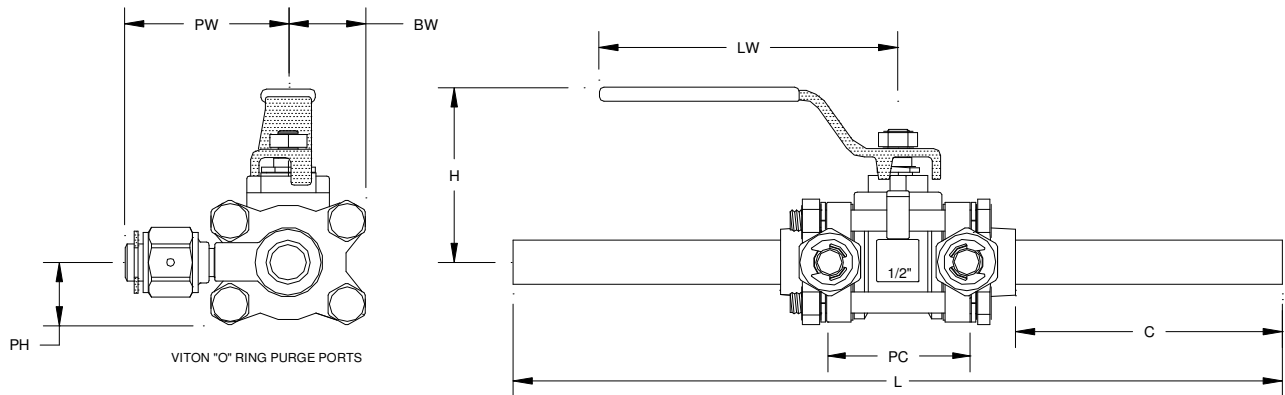
DANCAR CORPORATION - 145 N. Benson Road, Middlebury, CT 06762

Tel. (203) 598-0205 - Fax (203) 598-0211

dancar@dancar.com

FORGED BRASS BALL VALVES

WITH 316L STAINLESS TUBE STUBS
AND OPTIONAL PURGE PORTS



FORGED BRASS BALL VALVES WITH 316L STAINLESS TUBE STUBS

PART NUMBER	WALL	P W	B W	P H	P C	L W	H	L	C
W0500	0.049	1.918	0.918	0.682	1.750	3.375	1.875	8.375	2.867
W0750	0.049	2.000	1.000	1.000	2.125	4.500	2.250	8.750	2.774
W0750	0.065	2.000	1.000	1.000	2.125	4.500	2.250	8.750	2.774
W1000	0.065	2.093	1.093	1.093	2.375	4.500	2.375	11.000	2.812
W1500	0.065	2.500	1.500	1.320	2.125	5.250	3.000	18.000	6.875
W2000	0.065	2.915	1.915	1.500	2.362	5.250	3.250	18.562	6.500
W3000	0.083	3.375	3.375	4.750	3.083	6.375	3.875	21.125	7.333
W4000	0.083	3.375	3.375	4.750	3.612	9.000	4.250	22.875	5.612

NOTE: THE VALVE INTERNALS ARE NOT TO BE REMOVED PRIOR TO INERT GAS PURGE INSTALLATION.

ALL PRODUCTS ARE HELIUM LEAK TESTED TO 4.5×10^{-6} std cm³/s

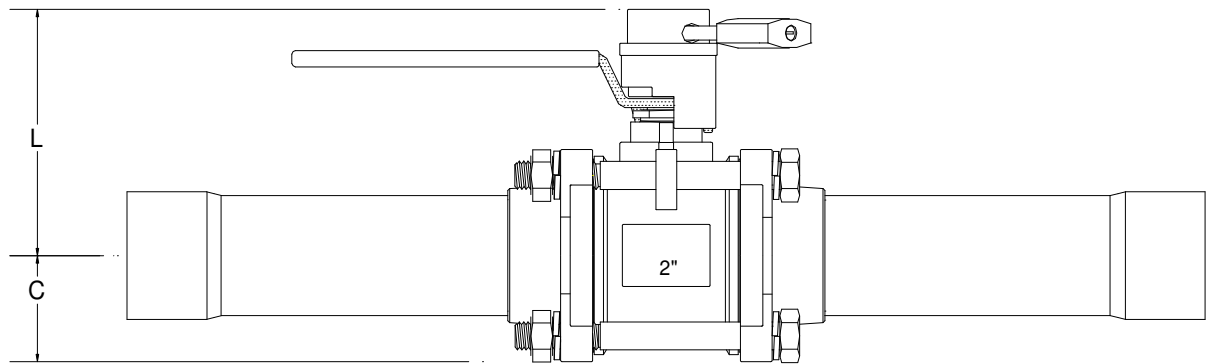
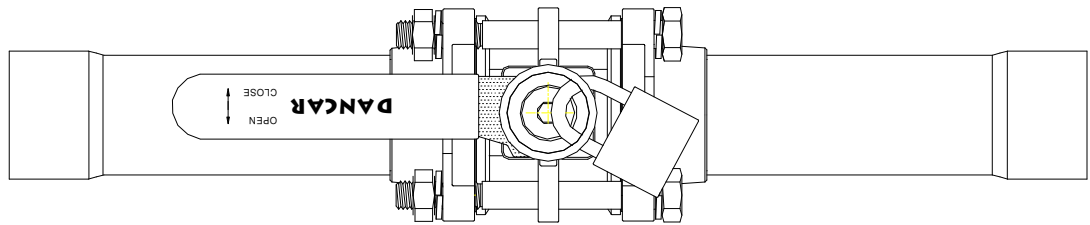
DANCAR CORPORATION - 145 N. Benson Road, Middlebury, CT 06762

Tel. (203) 598-0205 - Fax (203) 598-0211

dancar@dancar.com

FORGED BRASS BALL VALVES

WITH PATENTED LEVER LOCKS (- LH SERIES)



LOCK OPEN OR CLOSED

PART NUMBER	ODS	L	C
W0625-LH	0.625	2.375	0.687
W0875-LH	0.875	2.750	1.000
W1125-LH	1.125	2.875	1.093
W1375-LH	1.375	3.437	1.312
W1625-LH	1.625	3.562	1.500
W2125-LH	2.125	4.250	1.912
W2625-LW	2.625	5.125	2.965
W3125-LH	3.125	5.500	3.000
W4125-LH	4.125	5.500	3.000

NOTE: THE VALVE INTERNALS ARE NOT TO BE REMOVED PRIOR TO INERT GAS PURGE INSTALLATION.

ALL PRODUCTS ARE HELIUM LEAK TESTED TO 4.5×10^{-6} std cm³/s

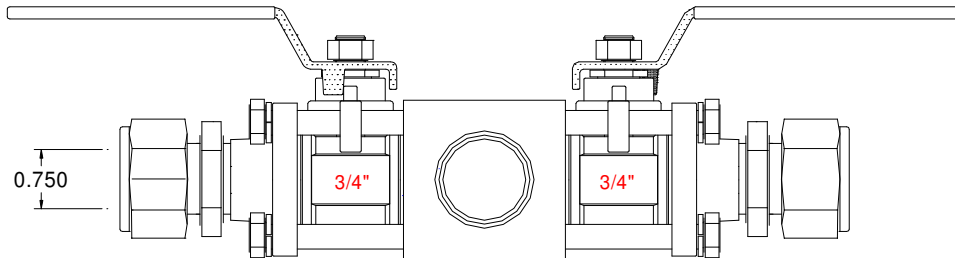
DANCAR CORPORATION - 145 N. Benson Road, Middlebury, CT 06762

Tel. (203) 598-0205 - Fax (203) 598-0211

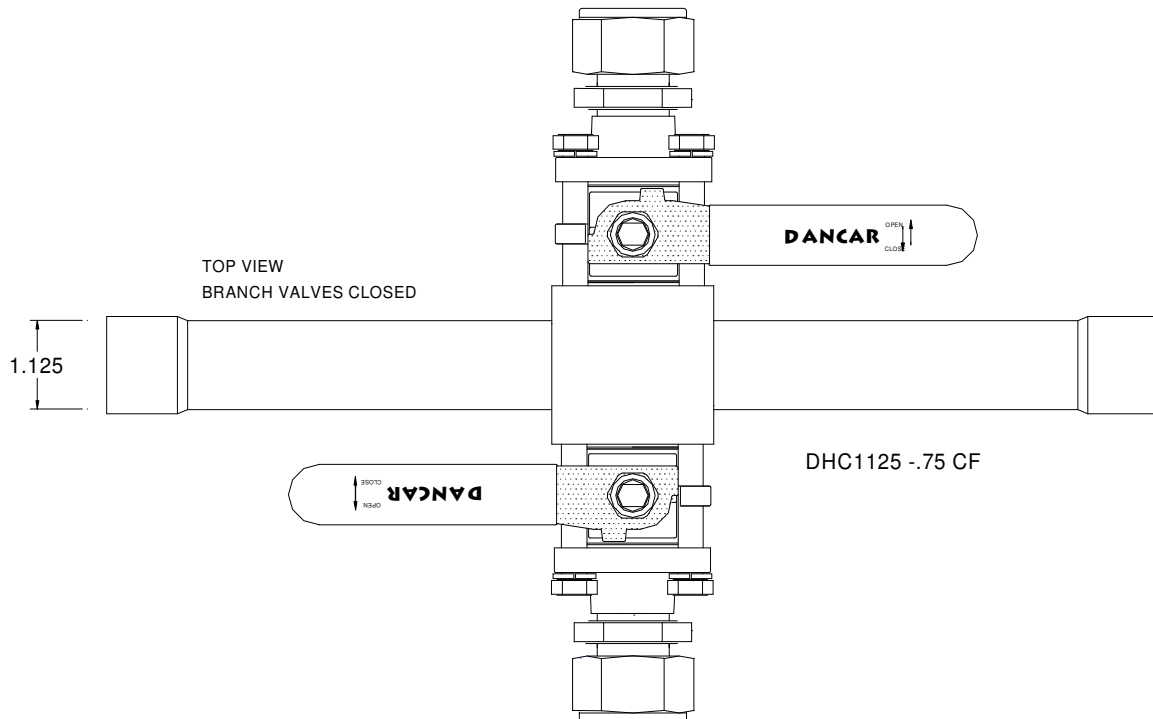
dancar@dancar.com

CUSTOM VALVE ASSEMBLIES

ONE OF MANY VARIATIONS AVAILABLE



END VIEW
BRANCH VALVES OPEN



NOTE: THE VALVE INTERNALS ARE NOT TO BE REMOVED PRIOR TO INERT GAS PURGE INSTALLATION.

ALL PRODUCTS ARE HELIUM LEAK TESTED TO 4.5×10^{-6} std cm³/s

DANCAR CORPORATION - 145 N. Benson Road, Middlebury, CT 06762
Tel. (203) 598-0205 - Fax (203) 598-0211

dancar@dancar.com

CONDITIONS OF SALE

- 1. Responsibility for delays caused by strikes, accidents, fire and other causes beyond our control cannot be accepted by us.*
- 2. Material may not be returned for credit without our written permission. All returned material must be properly packaged and identified.*
- 3. Claims for labor, loss of gasses or other damages resulting from the use of our products will not be accepted.*
- 4. Products of Dancar Corporation are guaranteed against defects in material and workmanship for a period of one year from date of shipment from our plant. Our liability is limited to replacement or repair, F.O.B. factory, of any material which upon our inspection we find to be defective. All transportation charges on returned goods must be prepaid.*
- 5. Any product that is not returned in the original packaging must be accompanied by a signed certificate that states no hazardous materials are present.*
- 6. All orders are subject to price increases proportionate to increases in raw materials necessary to fill such orders. prices do not include any sales or excise taxes and are subject to change without notice.*
- 7. Orders must be in writing and are subject to acceptance upon receipt at our plant. Cancellation of orders may not be made without our written consent. Orders for special materials may not be canceled without compensation to Dancar Corporation for all expenses incurred, and permission for such cancellation must be obtained in writing.*
- 8. Shipping point is F.O.B. factory, unless otherwise specified on our published price sheets.*

DANCAR CORPORATION - 145 North Benson Road, Middlebury, CT 06762

Tel. (203) 598 0205 - Fax (203) 598 0211

dancar@dancar.com