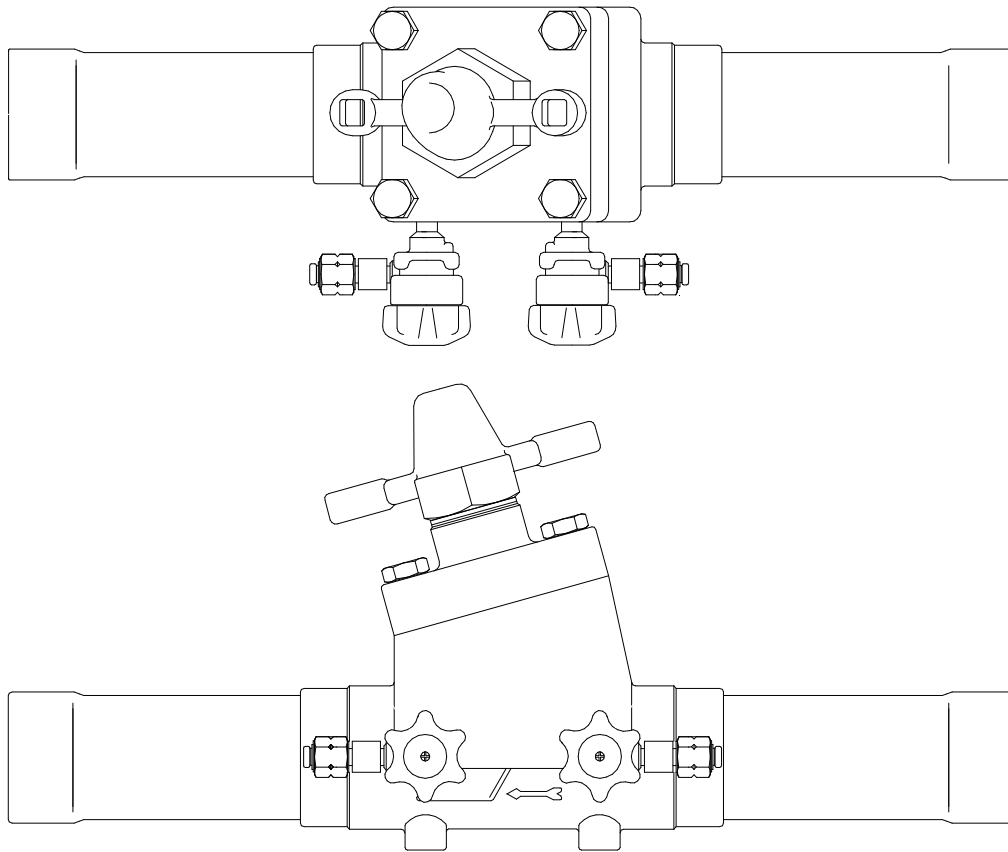


FORGED BRASS BELLOWS LINE VALVES



PART NUMBER	NOMINAL SIZE	MAXIMUM HEIGHT	CENTER LINE TO BASE	OVERALL LENGTH	C L WIDTH		APPROX. WEIGHT
					A	B	
B1375	1-1/4"	7.0"	1.312"	18.5"	1.5"	3.625"	7 LB.
B1625	1-1/2"	7.0"	1.312"	18.5"	1.5"	3.625"	7 LB.
B2125	2"	8.0"	1.687"	19.375"	2.0"	4.125"	14 LB.
B2625	2-1/2"	10.0"	1.750"	21.0"	2.5"	4.75"	32 LB.
B3125	3"	10.0"	1.750"	21.0"	2.5"	4.75"	32 LB.
B3625	3-1/2"	10.0"	1.750"	21.0"	2.5"	4.75"	38 LB.
B4125	4"	10.0"	1.750"	24.0"	2.5"	4.75"	40 LB.

DESIGN FEATURES

- + HIGH FLOW DESIGN
- + 100% HELIUM LEAK TEST AT OPERATING PRESSURE
- + THRUST BEARING STEM DESIGN
- + COMBINATION HANDWHEEL/SEALING CAP
- + FIELD REPLACEABLE INTERNAL ASSEMBLY
- + REDUCED USE OF SEAT INSERT MATERIALS
- + WEATHER SEAL
- + VIRGIN PTFE SEAT MATERIAL
- + KEL-F SEATS AVAILABLE
- + FORGED BODY AND BONNET

NOTE: THE VALVE INTERNALS ARE NOT TO BE REMOVED PRIOR TO INERT GAS PURGE INSTALLATION.

VALVE WORKING PRESSURE IS 250 PPSI MAXIMUM

ALL PRODUCTS ARE TESTED TO 1×10^{-7} . LOWER RATINGS ARE AVAILABLE AT ADDITIONAL COST.

DANCAR CORPORATION - 145 North Benson Road, Middlebury, CT 06762

Tel. (203) 598 0205 - Fax (203) 598 0211

dancar@dancar.com